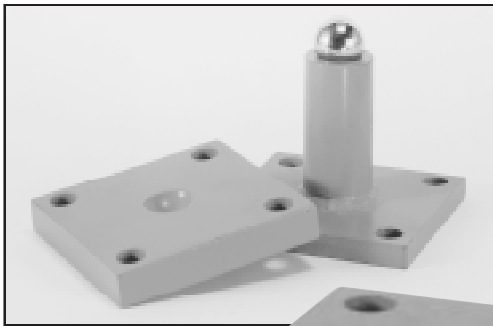
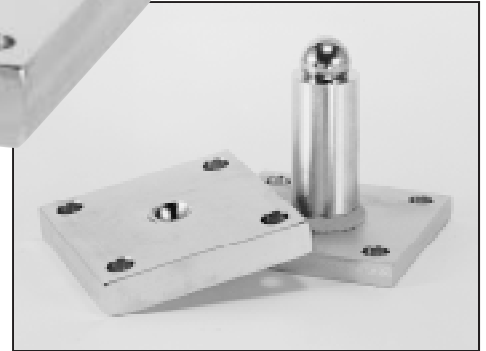
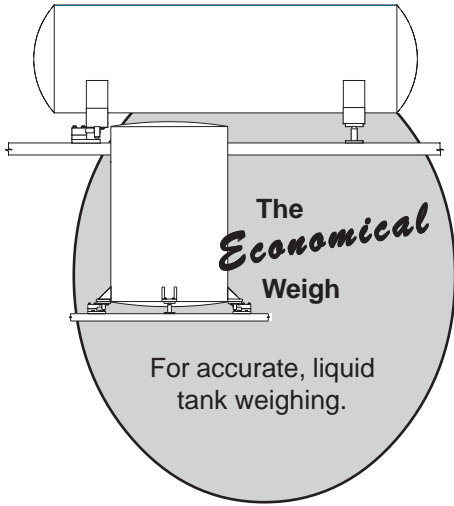




Ball Pivot Stands



Cut Load Cell Costs By 1/2 to 1/3!

Designed specifically for use in liquid tank weighing applications, Cardinal ball pivot stands are an economical alternative to multiple load cell weighing systems.



Cardinal Ball Pivot Stands

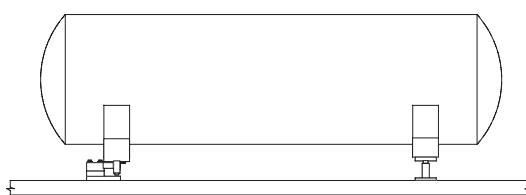
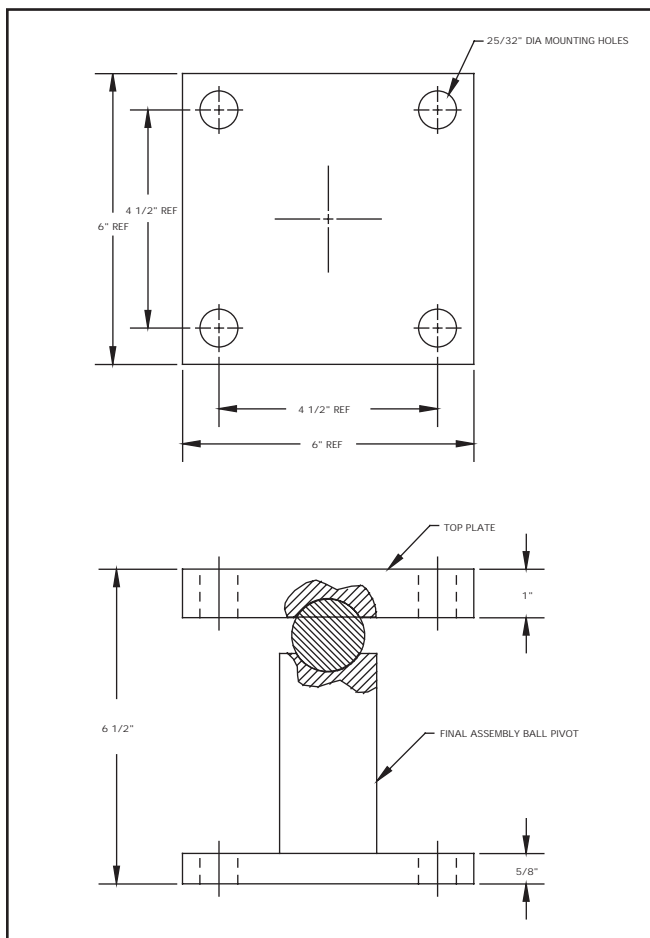
Designed specifically for liquid tank weighing applications to lower your costs.



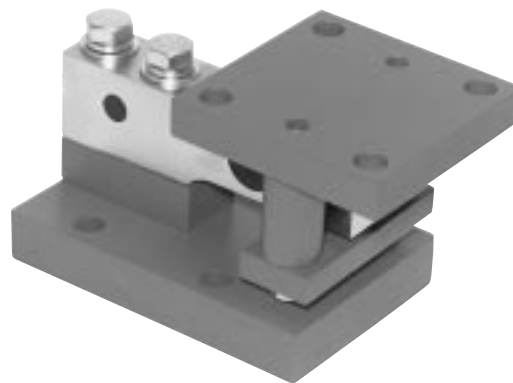
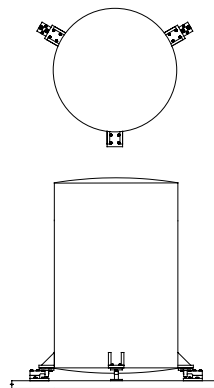
All stainless steel model for harsh environments.



Cardinal ball pivot systems provide the accuracy you need at approximately half the cost of traditional systems. These 20,000 lb capacity stands are available in either stainless steel or painted mild steel; both models feature a stainless steel ball.



For use with three-cell triangle or four-cell vertical and horizontal systems, these low profile stands are ideal for new or existing installations.



Combine with Cardinal's THBC cell and mounting system for an accurate yet economical system.

Cardinal Scale reserves the right to improve, enhance or modify features and specifications without prior notice.



P.O. Box 151, Webb City, MO 64870 USA
 Ph: 417-673-4631 or 800-441-4237 • Fax: 417-673-5001
 Visit our Web site at <http://www.cardinalscale.com>

Sold By:

