



# Full Electronic and Mechanical Livestock Scales

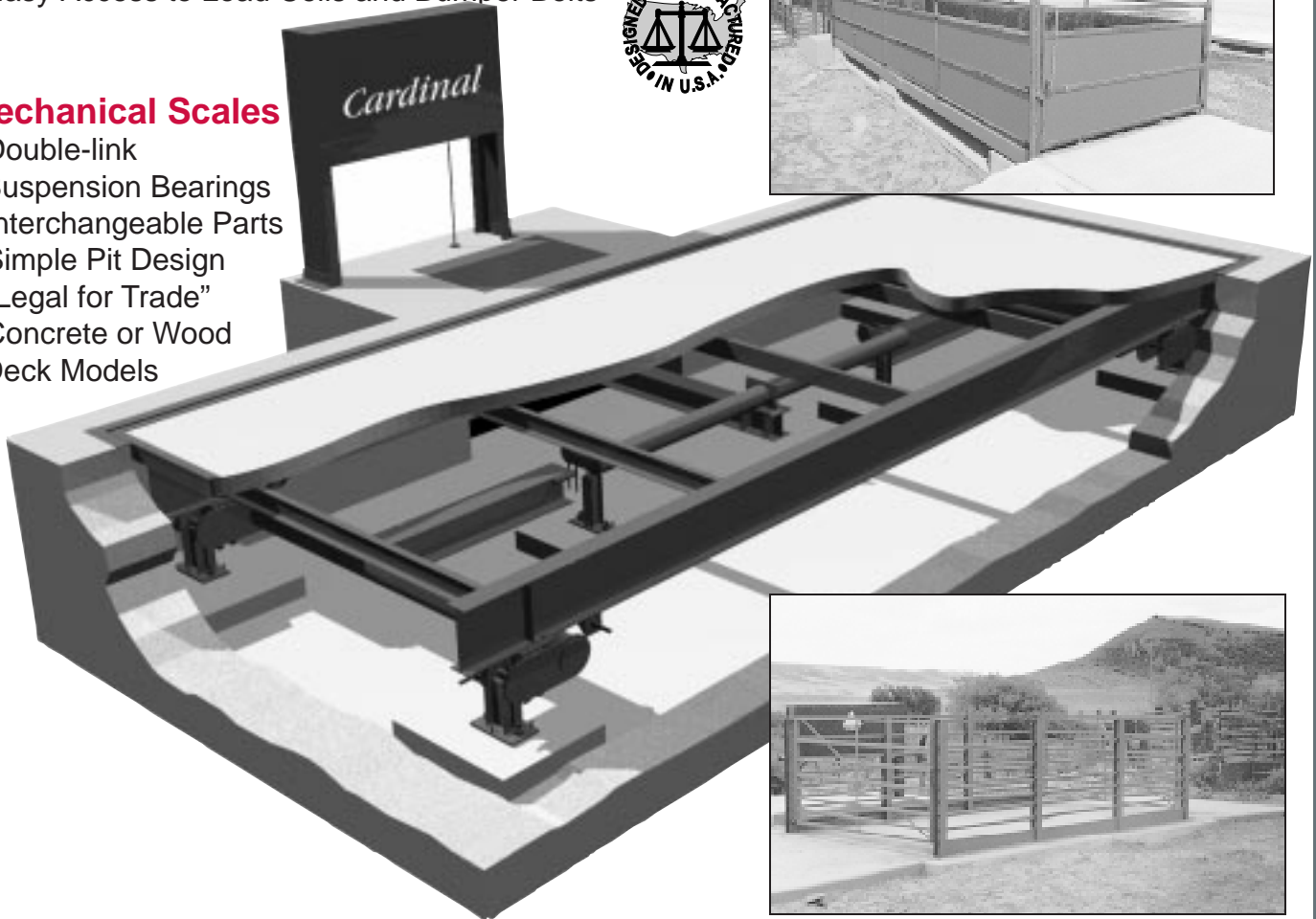
## Full Electronic Scales

- Concrete Deck
- 10" Height
- 8 Ton CLC
- Easy to install
- "Legal for Trade"
- Easy Access to Load Cells and Bumper Bolts



## Mechanical Scales

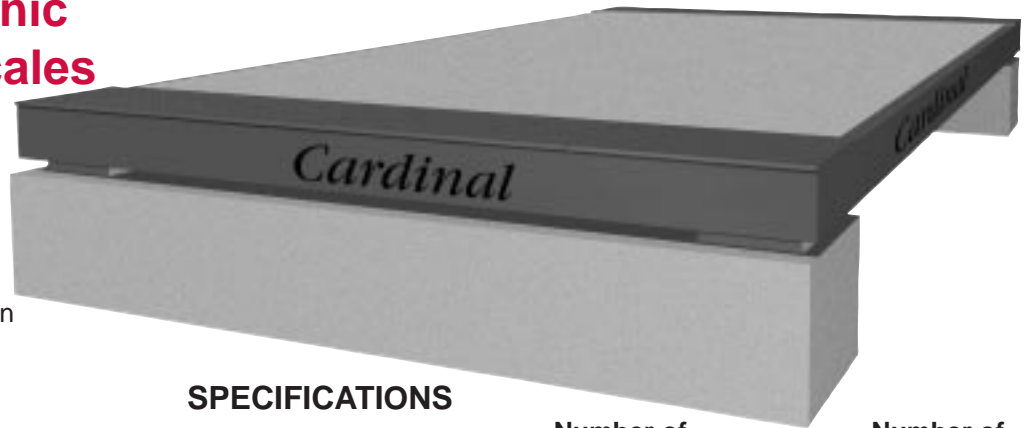
- Double-link Suspension Bearings
- Interchangeable Parts
- Simple Pit Design
- "Legal for Trade"
- Concrete or Wood Deck Models



# Full Electronic and Mechanical Livestock Scales

## Full Electronic Livestock Scales

Easy top plate access to load cells and bumper bolts. Low profile of 10" tall cuts foundation costs to a minimum. Stainless steel beam cells. Concrete deck design. Requires simple and economical foundation work and is easy to install.

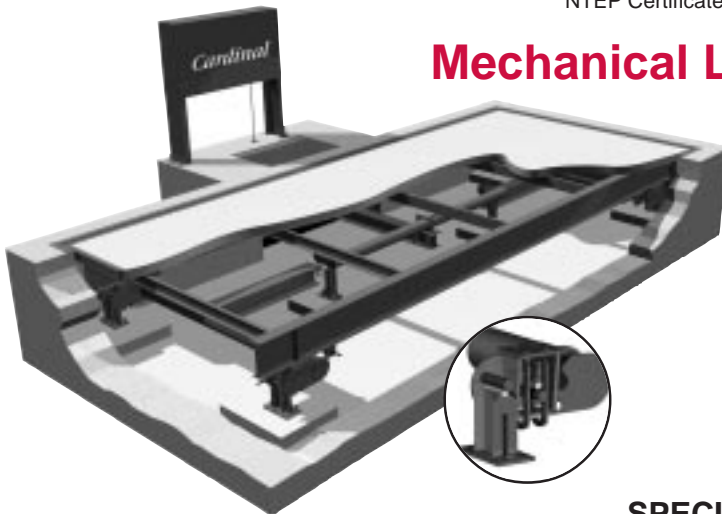


### SPECIFICATIONS

Model	Platform Size	Capacity	Number of Modules	Number of Load Cells
LSE1218	18' X 10'	12 tons	2	4
LSE1220	20' x 10'	12 tons	2	4
LSE2030	30' x 10'	20 tons	3	6
LSE2035	35' x 10'	20 tons	3	6

NTEP Certificate of Conformance 97-043

## Mechanical Livestock Scales



The ideal answer when an electronic scale is not needed. Structural steel levers and seamless steel tubing provide extra strength and less weight. Fewer levers, fewer parts and, double-link suspension bearings mean less wear and tear and eliminates platform shock prolonging life of scale. Pivots are tempered high-grade tool steel and, along with self-aligning bearings, are supported throughout their entire length. Interchangeable parts and simple pit design make installation and maintenance quick and easy.

### SPECIFICATIONS

Model	Platform Size	Capacity	Deck Type	Beam Graduations
LS51208	12' x 8'	5 tons	Wood/ Concrete	10,000 lb x 5 lb
LS51408	14' x 8'	5 tons	Wood/ Concrete	10,000 lb x 5 lb
LS1016	16' x 9'	10 tons	Wood/ Concrete	20,000 lb x 5 lb
LS1018	18' x 9'	10 tons	Wood/ Concrete	20,000 lb x 5 lb
LS1022	22' x 9'	10 tons	Wood/ Concrete	20,000 lb x 5 lb
1030S	30' x 14'	10 tons	Wood/ Concrete	20,000 lb x 5 lb
1530S	30' x 14'	15 tons	Wood/ Concrete	30,000 lb x 5 lb
2026S	26' x 14'	20 tons	Wood/ Concrete	40,000 lb x 5 lb

NTEP Certificate of Conformance 88-017

**NOTE:** Various sizes and capacities of self contained livestock scales are also available. Please consult factory for more information.

Cardinal Scale reserves the right to improve, enhance, and modify features and specifications without prior notice.

 **Cardinal**  
 Cardinal Scale Manufacturing Co.  
 P.O. Box 151, Webb City, MO 64870 USA  
 Ph: 417-673-4631 or 800-441-4237 • Fax: 417-673-5001  
 Visit our Web site at <http://www.cardinalscale.com>

**Sold By:**